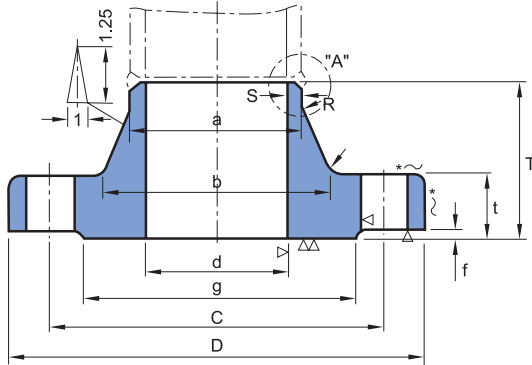
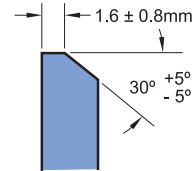


JIS B2220 FLANGE STANDARD 30K WELD NECK FLANGE



*The surface finish
(~) shown above is in
the case of die forgine



When particularly necessary,
customers can order another
beveling form the above.

Unit : mm

Nominal Pipe Size	Outside Dia. of Flange D	Sectional Dimensions of Flange														Nominal Bolt Size
		Bolt Circle Dia. C	Dia. of Raised Face g	Outside Dia. of Steel Pipe	T	b	a	R	t	d	Radius r	s	f	Number of Bolt Holes	Dia. of Hole h	
15	115	80	55	21.7	45	40	22.0	20	18	15.8	6	3.1	1	4	19	M16
20	120	85	60	27.2	45	44	27.5	20	18	21.1	6	3.2	1	4	19	M16
25	130	95	70	34.0	48	52	34.4	20	20	26.8	6	3.8	1	4	19	M16
32	140	105	80	42.7	52	62	43.1	30	22	35.1	6	4.0	2	4	19	M16
40	160	120	90	48.6	54	70	49.1	30	22	40.7	6	4.2	2	4	23	M20
50	165	130	105	60.5	57	84	61.0	30	22	52.2	8	4.4	2	8	19	M16
65	200	160	130	76.3	69	105	76.9	30	26	65.3	8	5.8	2	8	23	M20
80	210	170	140	89.1	73	118	89.7	30	28	76.4	8	6.1	2	8	23	M20
(90)	230	185	150	101.6	74	130	102.3	30	30	89.5	8	6.4	2	8	25	M22
100	240	195	160	114.3	76	142	115.1	30	32	101.5	8	6.8	2	8	25	M22
125	275	230	195	139.8	86	172	140.7	50	36	125.7	10	7.5	2	8	25	M22
150	325	275	235	165.2	95	202	166.2	50	38	150.0	10	8.1	2	12	27	M24
200	370	320	280	216.3	102	254	217.5	50	42	198.7	10	9.4	2	12	27	M24
250	450	390	345	267.4	118	312	268.7	50	48	247.5	12	10.6	2	12	33	M30×3
300	515	450	405	318.5	127	366	320.0	50	52	296.4	15	11.8	3	16	33	M30×3
350	560	495	450	355.6	134	406	357.2	80	54	331.8	15	12.7	3	16	33	M30×3
400	630	560	510	406.4	149	462	408.3	80	60	379.1	20	14.6	3	16	39	M36×3

NOTE:

- Flanges of parenthesized nominal diameter (), not to be used unless otherwise noted by purchaser.
- "d" is an example of pipe thickness for schedule 40 for nominal diameter 400 and under, and for schedule 12.7 mm for 450 through 600 of KS B3562 and KS D3507 (JIS G3454, JIS G3456)