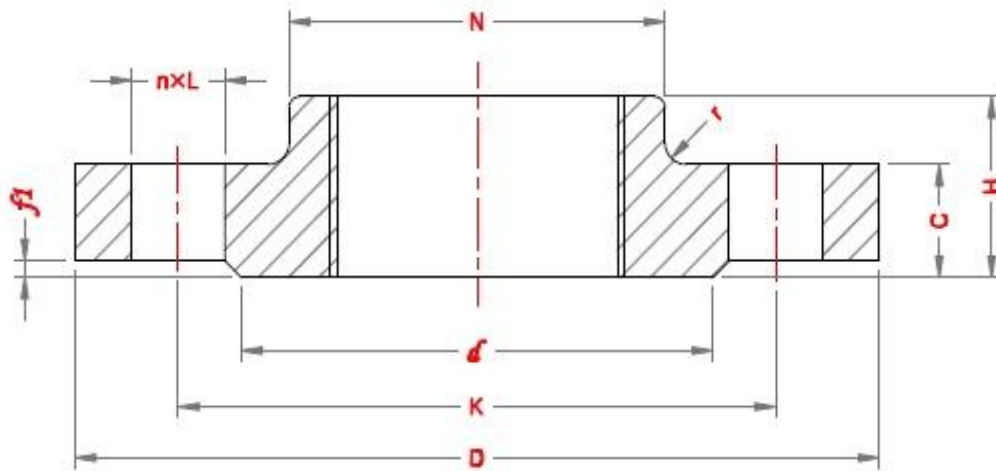


Threaded Flanges - EN1092-1



PN 6

DN	Pipe OD, A	Outside Diamete, D	Diameter of Bolt Circle, K	Dia of Bolt Hole, L	No. of bolt	Diameter of Raised Face, d	Height of Raised Face, f1	Flange thickness, C	Length of Flange, H	Neck Diameter, N	Radius of Corners, r
10	17.2	75	50	11	4	35	2	12	20	25	4
15	21.3	80	55	11	4	40	2	12	20	30	4
20	26.9	90	55	11	4	50	2	14	21	40	4
25	33.7	100	75	11	4	60	2	14	24	50	4
32	42.4	120	95	14	4	70	2	14	26	60	6
40	48.3	130	100	14	4	80	3	14	26	70	6
50	60.3	140	110	14	4	90	3	14	28	80	6
65	76.1	160	130	14	4	110	3	14	32	100	6
80	88.9	190	150	18	4	128	3	16	34	110	8
100	114.3	210	170	18	4	148	3	16	40	130	8
125	139.7	240	200	18	8	178	3	18	44	160	8
150	168.3	265	225	18	8	202	3	18	44	185	10
200	219.1	320	280	18	8	258	3	20	44	240	10
250	273	375	335	18	12	312	3	22	44	295	12
300	323.9	440	395	22	12	365	4	22	44	355	12