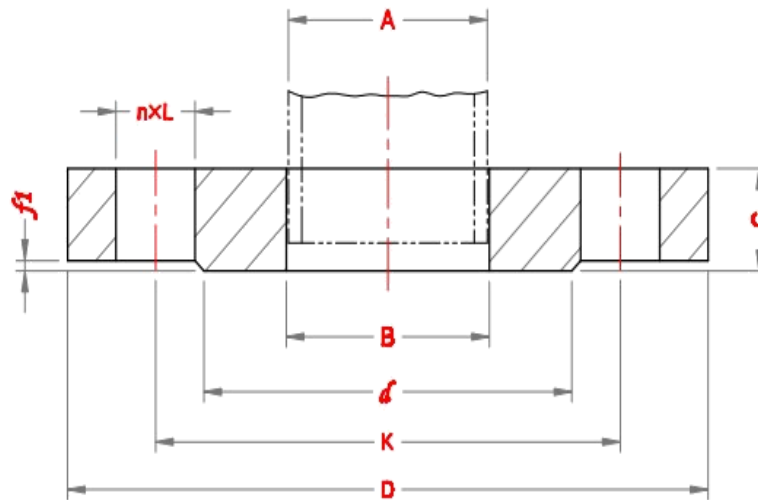


Plate Flanges - EN1092-1



PN 25

DN	Pipe OD, A		Outside Diameter, D	Diameter of Bolt Circle, K	Dia of Bolt Hole, L	No. of bolt	Size of Bolt	Flange thickness, C	Diameter of Raised Face, d	Height of Raised Face, f1	Bore diameter, B	
	Series I	Series II									Series I	Series II
10	17.2	14	90	60	14	4	M12	14	40	2	18	15
15	21.3	18	95	65	14	4	M12	14	45	2	22	19
20	26.9	25	105	75	14	4	M12	16	58	2	27.5	26
25	33.7	32	115	85	14	4	M12	16	68	2	34.5	33
32	42.4	38	140	100	18	4	M16	18	78	2	43.5	39
40	48.3	45	150	110	18	4	M16	18	88	3	49.5	46
50	60.3	57	165	125	18	4	M16	20	102	3	61.5	59
65	76.1	79	185	145	18	8	M16	22	122	3	77.5	78
80	88.9	89	200	160	18	8	M16	24	138	3	90.5	91
100	114.3	108	235	190	22	8	M20	26	162	3	116	110
125	139.7	133	270	220	26	8	M24	28	188	3	141.5	135
150	168.3	159	300	250	26	8	M24	30	218	3	170.5	161
200	219.1	219	360	310	26	12	M24	32	278	3	221.5	222
250	273	273	435	370	30	12	M27	35	335	3	276.5	276
300	323.9	325	485	430	30	16	M27	38	395	4	327.5	328
350	355.6	377	555	490	33	16	M30	42	450	4	359.5	380
400	406.4	426	620	550	36	16	M33	48	505	4	411	430
450	457	480	670	600	36	20	M33	54	555	4	462	484
500	508	530	730	660	36	20	M33	58	615	4	513.5	534
600	610	630	845	770	39	20	M36	68	720	5	616.5	634
700	711	720	960	875	42	24	M39	85	820	5	715	724
800	813	820	1085	990	48	24	M45	95	930	5	817	824