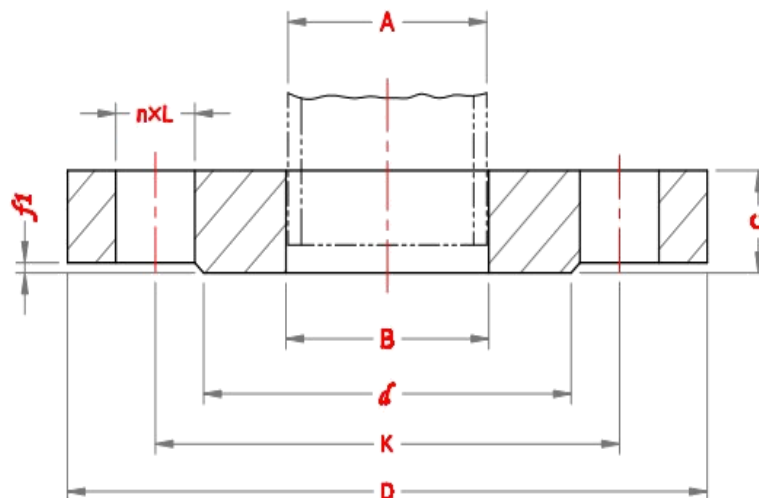




Plate Flanges - EN1092-1



PN 16

DN	Pipe OD, A		Outside Diameter, D	Diameter of Bolt Circle, K	Dia of Bolt Hole, L	No. of bolt	Size of Bolt	Flange thickness, C	Diameter of Raised Face, d	Height of Raised Face, f1	Bore diameter, B	
	Series I	Series II									Series I	Series II
10	17.2	14	90	60	14	4	M12	14	40	2	18	15
15	21.3	18	95	65	14	4	M12	14	45	2	22	19
20	26.9	25	105	75	14	4	M12	16	58	2	27.5	26
25	33.7	32	115	85	14	4	M12	16	68	2	34.5	33
32	42.4	38	140	100	18	4	M16	18	78	2	43.5	39
40	48.3	45	150	110	18	4	M16	18	88	3	49.5	46
50	60.3	57	165	125	18	4	M16	20	102	3	61.5	59
65	76.1	79	185	145	18	8	M16	20	122	3	77.5	78
80	88.9	89	200	160	18	8	M16	20	138	3	90.5	91
100	114.3	108	220	180	18	8	M16	22	158	3	116	110
125	139.7	133	250	210	18	8	M16	22	188	3	141.5	135
150	168.3	159	285	240	22	8	M20	24	212	3	170.5	161
200	219.1	219	340	295	22	12	M20	26	268	3	221.5	222
250	273	273	405	355	26	12	M24	29	320	3	276.5	276
300	323.9	325	460	410	26	12	M24	32	378	4	327.5	328
350	355.6	377	520	470	26	16	M24	35	438	4	359.5	380
400	406.4	426	580	525	30	16	M27	38	490	4	411	430
450	457	480	640	585	30	20	M27	42	550	4	462	484
500	508	530	715	650	33	20	M30	46	610	4	513.5	534
600	610	630	840	770	36	20	M33	55	725	5	616.5	634
700	711	720	910	840	36	24	M33	63	795	5	715	724
800	813	820	1025	950	39	24	M36	74	900	5	817	824
900	914	920	1125	1050	39	28	M36	82	1000	5	918	924
1000	1016	1020	1255	1170	42	28	M39	90	1115	5	1020	1024
1200	1219	1220	1485	1390	48	32	M45	95	1330	5	1223	1224
1400	1422	1420	1685	1590	48	36	M45	103	1530	5	1426	1424
1600	1626	1620	1930	1820	56	40	M52	115	1750	5	1630	1624
1800	1829	1820	2130	2020	56	44	M52	126	1950	5	1833	1824
2000	2032	2020	2345	2230	62	48	M56	138	2150	5	2036	2024