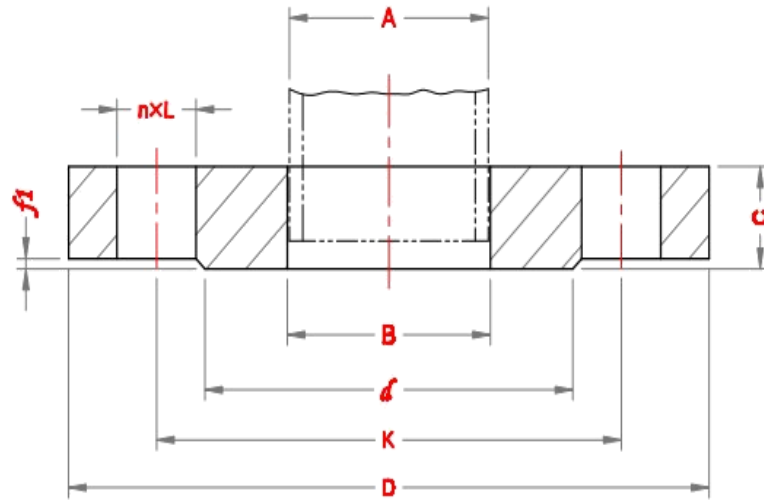


Plate Flanges - EN1092-1



PN 100

DN	Pipe OD, A		Outside Diameter, D	Diameter of Bolt Circle, K	Dia of Bolt Hole, L	No. of bolt	Size of Bolt	Flange thickness, C	Diameter of Raised Face, d	Height of Raised Face, f1	Bore diameter, B	
	Series I	Series II									Series I	Series II
10	17.2	14	100	70	14	4	M12	20	40	2	18	15
15	21.3	18	105	75	14	4	M12	20	45	2	22	19
20	26.9	25	130	90	18	4	M16	22	58	2	27.5	26
25	33.7	32	140	100	18	4	M16	24	68	2	34.5	33
32	42.4	38	155	110	22	4	M20	24	78	2	43.5	39
40	48.3	45	170	125	22	4	M20	26	88	3	49.5	46
50	60.3	57	195	145	26	4	M24	28	102	3	61.5	59
65	76.1	79	220	170	26	8	M24	30	122	3	77.5	78
80	88.9	89	230	180	26	8	M24	34	138	3	90.5	91
100	114.3	108	265	210	30	8	M27	36	162	3	116	110
125	139.7	133	315	250	33	8	M30	42	188	3	141.5	135
150	168.3	159	355	290	33	12	M30	48	218	3	170.5	161
200	219.1	219	430	360	36	12	M33	60	285	3	221.5	222
250	273	273	505	430	39	12	M36	72	345	3	276.5	276
300	323.9	325	585	500	42	16	M39	84	410	4	327.5	328
350	355.6	377	655	560	48	16	M45	95	465	4	359.5	380