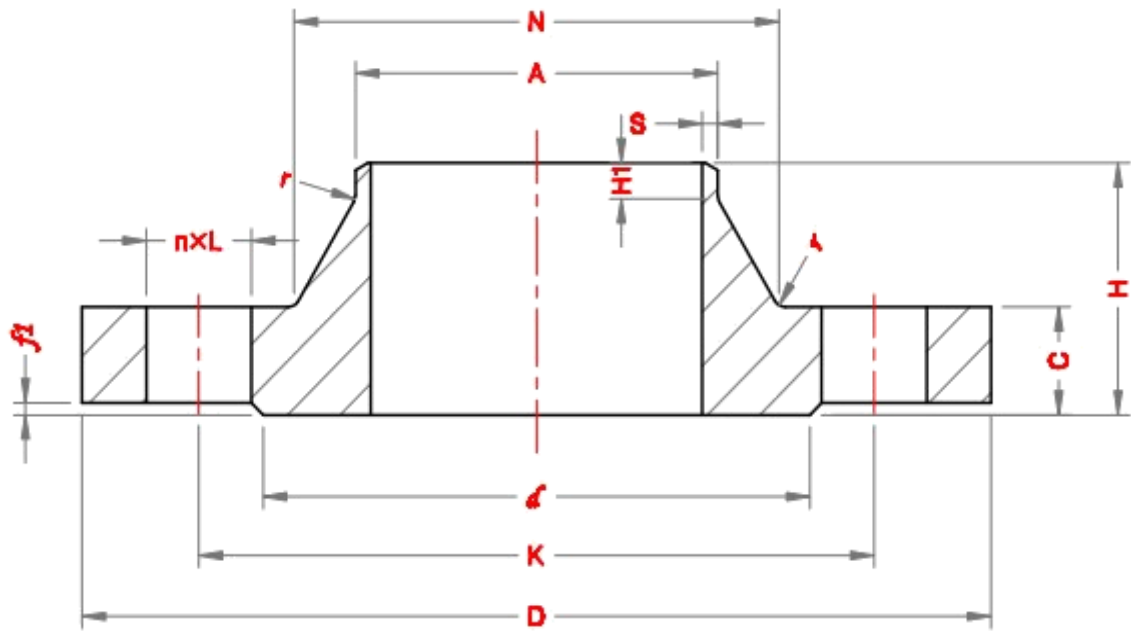


Weld Neck Flanges - EN 1092-1



PN 160

DN	Pipe OD, A		OD, D	Dmtr of Bolt Circle, K	Dmtr of Bolt Holes, L	No. of bolts	Dmtr of Raised Face, d	Height of Raised Face, f1	Flange Thick, C	Length of Flange, H	Neck Diameter, N	Wall thick, S	Length of right end, H1	Radius of Corners, r
	Series I	Series II												
10	17.2	14	100	70	14	4	40	2	20	45	32	2.0	6	4
15	21.3	18	105	75	14	4	45	2	20	45	34	2.0	6	4
20	26.9	25	130	90	18	4	58	2	24	52	42	2.9	6	4
25	33.7	32	140	100	18	4	68	2	24	58	52	2.9	8	4
32	42.4	38	155	110	22	4	78	2	28	60	60	3.6	8	5
40	48.3	45	170	125	22	4	88	3	28	64	70	3.6	10	6
50	60.3	57	195	145	26	4	102	3	30	75	90	4.0	10	6
65	76.1	79	220	170	26	8	122	3	34	82	108	5.0	12	6
80	88.9	89	230	180	26	8	138	3	36	86	120	6.3	12	8
100	114.3	108	265	210	30	8	162	3	40	100	150	8.0	12	8
125	139.7	133	315	250	33	8	188	3	44	115	180	10.0	14	8
150	168.3	159	355	290	33	12	218	3	50	128	210	12.5	14	10
200	219.1	219	430	360	36	12	285	3	60	140	278	16.0	16	10
250	273	273	515	430	42	12	345	3	68	155	340	20.0	18	12
300	323.9	325	585	500	42	16	410	4	78	175	400	22.2	18	12