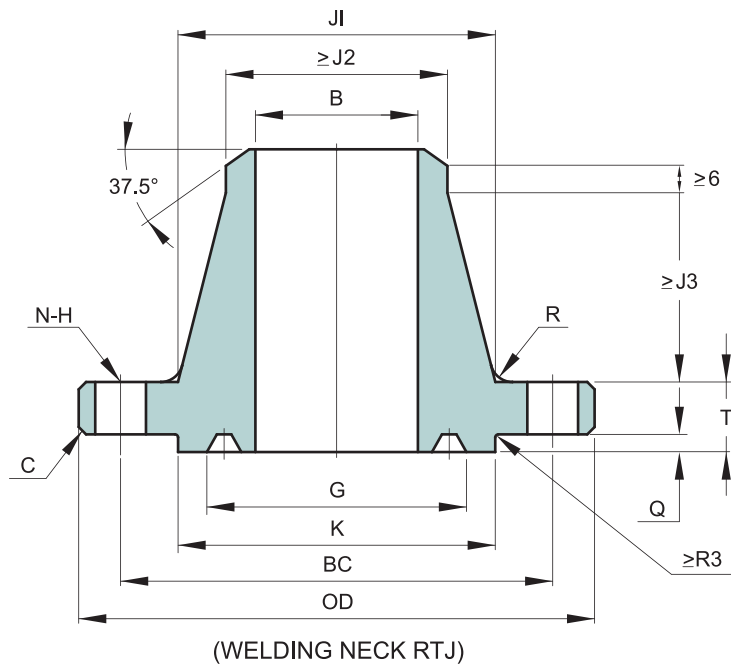
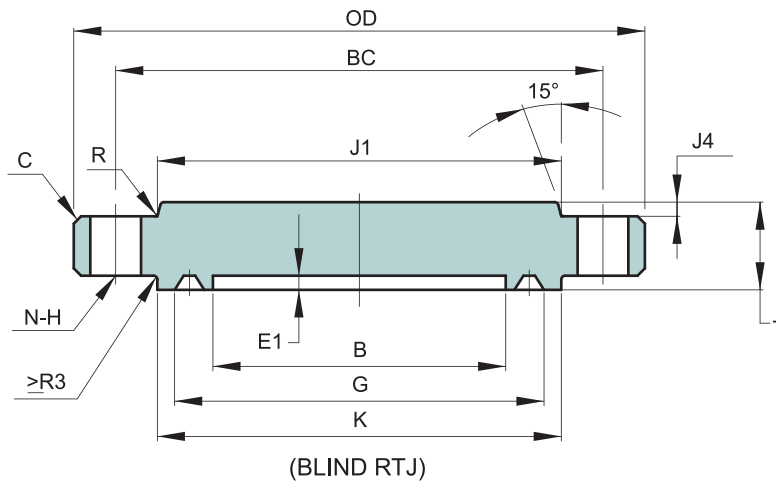


## API 6A - TYPE - 6BX 138.0 MPA (20000 PSI)



UNIT : mm

Size	B	OD	C	E1	Q (MAX.)	G	K	T	J1	J2	J3	J4	R	BC	N	H	Ring Number
																	BX
1 13/16"	46.8	255	3	-	5.56	77.77	117	63.5	133.4	109.5	49.2	-	10	203.20	8	29	151
2 1/16"	53.2	285	3	-	5.95	86.23	132	71.5	154.0	127.0	52.4	-	10	230.20	8	32	152
2 9/16"	65.9	325	3	-	6.75	102.77	151	79.4	173.0	144.5	58.7	-	10	261.90	8	35	153
3 1/16"	78.6	355	3	-	7.54	119.00	171	85.8	192.1	160.3	63.5	-	10	287.30	8	39	154
4 1/16"	104.0	445	3	-	8.33	150.62	219	106.4	242.9	206.4	73.0	-	10	357.20	8	48	155
7 1/16"	180.2	655	6	11.1	11.11	241.83	352	165.1	385.8	338.1	96.8	7.9	16	554.00	16	54	156
9"	229.4	805	6	12.7	12.7	299.06	441	204.8	481.0	428.6	107.9	6.4	25	685.80	16	67	157
11"	280.2	885	6	14.3	14.29	357.23	505	223.9	566.7	508.0	103.2	12.7	25	749.30	16	74	158
13 5/8"	346.9	1160	6	15.9	15.88	432.64	614	292.1	693.7	628.6	133.3	14.2	25	1016.00	20	80	159

NOTE :

- 1) TOLERANCE ACCORDING TO API 6A-20TH
- 2) RING GASKET ACCORDING TO API 6A-20TH